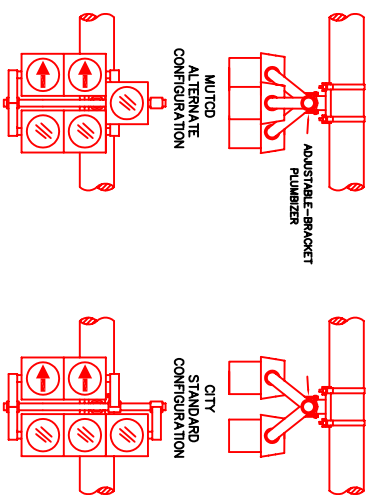
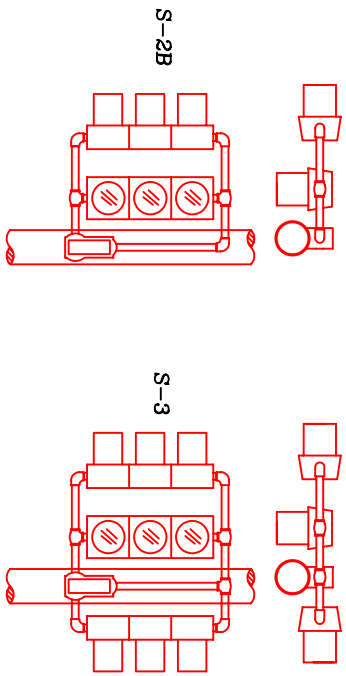


**SIDE MOUNTING**

**TOP MOUNTING**



NOTE: CITY STANDARD CONFIGURATION TO BE USED UNLESS OTHERWISE NOTED ON PLANS.

**VEHICLE SIGNALS**

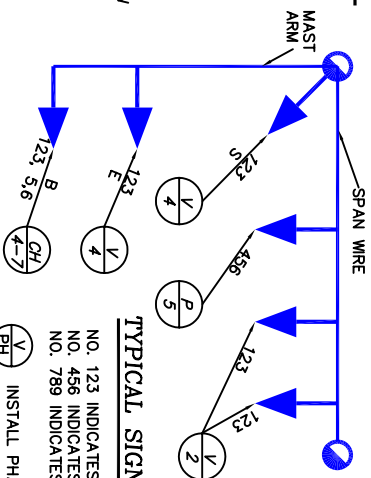
**CLUSTER HEADS**

COMBINATION TYPE NO. (SEE PLANS)  
 COLOR INDICATION & NOMINAL LENS SIZE

1	12"	R	4	12"	RLTA	5	12"	YLTA	6	12"	GLTA	7	12"	RLTA	8	12"	YRTA	9	12"	GRTA
---	-----	---	---	-----	------	---	-----	------	---	-----	------	---	-----	------	---	-----	------	---	-----	------

**LEGEND**

- R - RED
- Y - YELLOW
- G - GREEN
- RLTA - RED LEFT TURN ARROW
- YLTA - YELLOW LEFT TURN ARROW
- GLTA - GREEN LEFT TURN ARROW
- GRTA - GREEN RIGHT TURN ARROW
- RRTA - RED RIGHT TURN ARROW
- YRTA - YELLOW RIGHT TURN ARROW
- GVA - GREEN VERTICAL ARROW
- A - STANDARD PLUMBIZER
- E - ELEVATOR PLUMBIZER
- S - SIDE POLE MOUNTING
- T - POLE TOP MOUNTING
- B - ADJUSTABLE BRACKET MOUNTING

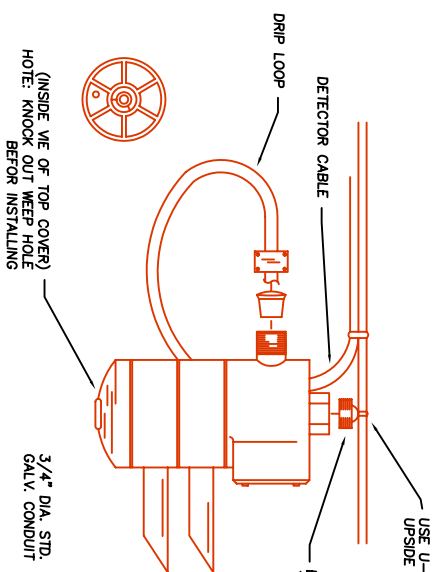


**TYPICAL SIGNAL HEAD DESIGNATION**

NO. 123 INDICATES 12" R, 12" Y, 12" G  
 NO. 456 INDICATES 12" RLTA, 12" YLTA, 12" GLTA  
 NO. 789 INDICATES 12" RRTA, 12" YRTA, 12" GRTA

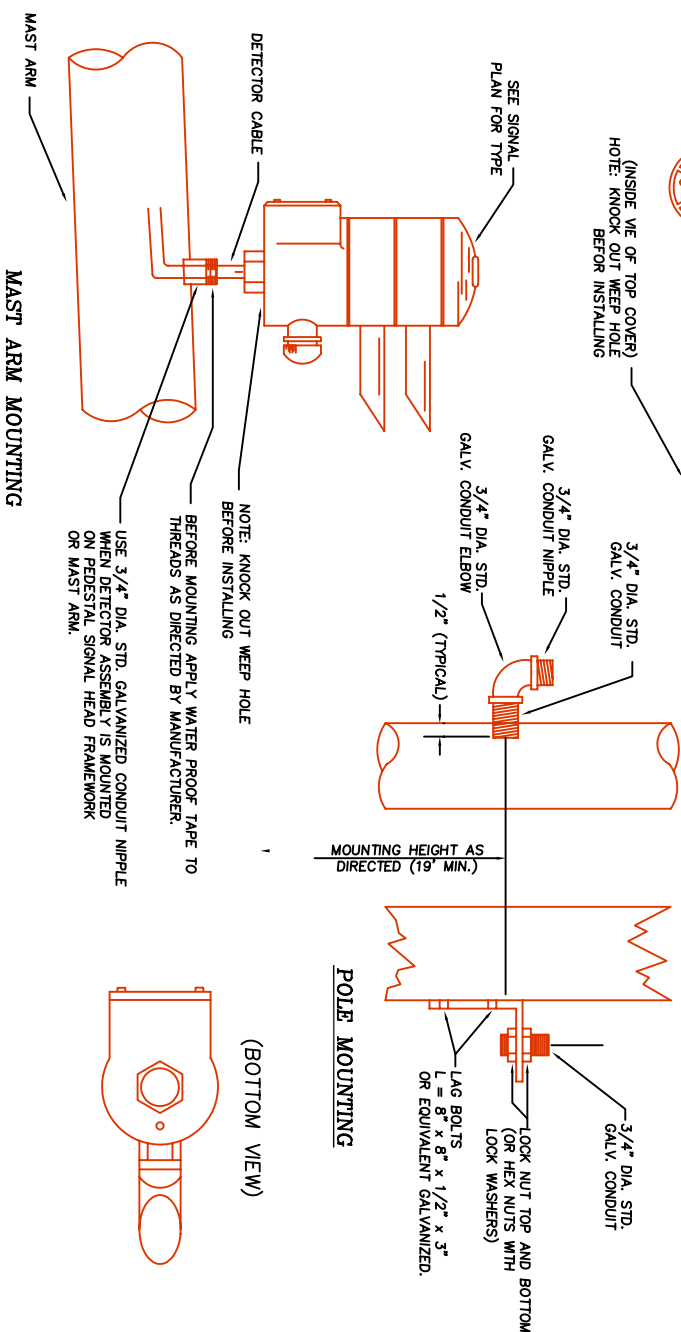
- (PH) INSTALL PHASE (PH) PROGRAMMED VEHICLE SIGNAL (PV)
- (PV) INSTALL PHASE (PH) PROGRAMMED VEHICLE SIGNAL (PV)
- (V) INSTALL PHASE (PH) VEHICLE SIGNAL
- (PH) INSTALL PHASE (PH) PROGRAMMED VEHICLE SIGNAL (PV)
- (CH) INSTALL PHASE (PH) PROGRAMMED VEHICLE SIGNAL (PV)
- (PH) VEHICLE SIGNAL (CITY STANDARD CONFIGURATION UNLESS OTHERWISE NOTED ON PLANS).

**VEHICLE SIGNAL HEAD DESIGNATION**

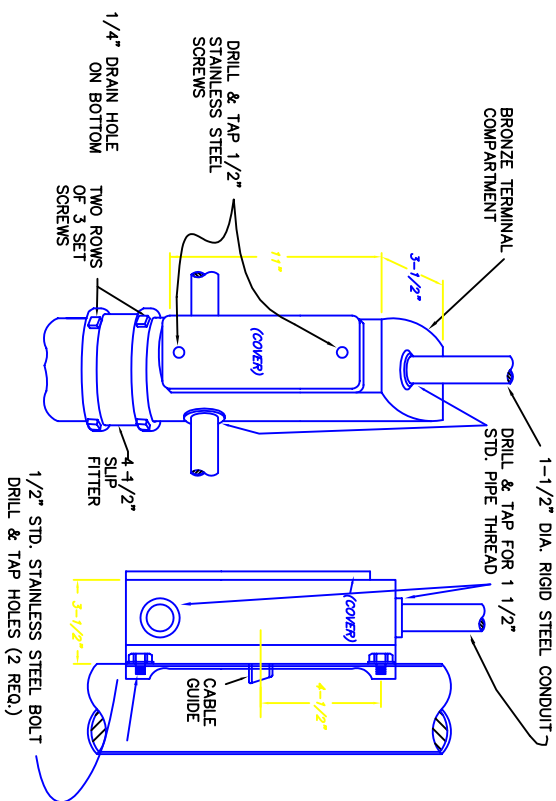


**SPAN WIRE INSTALLATION**

NOTE: DRILL AND TAP STEEL POLE AND INSTALL MOUNTING ASSEMBLY. FEAM THE ENDS OF PIPE SECTIONS SMOOTH. LOCATE THE MOUNTING ASSEMBLY ON THE POLES IN A POSITION WHICH WILL ALLOW FOR PROPER ALIGNMENT OF THE DETECTOR UNIT.



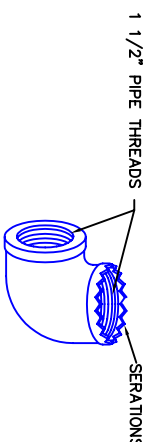
**TYPICAL MOUNTING DETAILS FOR FIRE PRE-EMPTION DETECTOR UNIT**



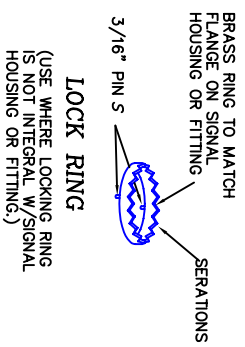
**TOP MOUNTING**

**SIDE MOUNTING**

**TERMINAL COMPARTMENT**



**SPECIAL 90° ELBOW HOT DIPPED GALVANIZED**  
 (ONE FOR EACH FACE, EXCEPT THOSE W/SPECIAL SLIP FITTER MOUNTING.)



**LOCK RING**

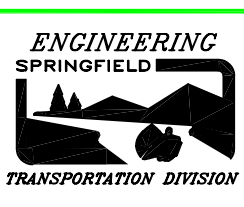
BRASS RING TO MATCH FLANGE ON SIGNAL HOUSING OR FITTING  
 (USE WHERE LOCKING RING IS NOT INTEGRAL W/SIGNAL HOUSING OR FITTING.)

NOTE: DRAWING NOT TO SCALE  
 ALL EYEBOLTS, BOLTS, NUTS, AND WASHERS SHALL BE GALV. STEEL UNLESS NOTED OTHERWISE. ALL SET SCREWS SHALL BE MIN. DIA. 1/4" STAINLESS STEEL WITH SQUARE OR HEX HEADS. ALL SPANWIRE HANGERS AND PLUMBIZERS SHALL BE CAST BRONZE.

NO	REVISION	DATE	BY	APPR.
1	DEL.HDWR.ADD BTN.&SGN.	6/91		
2	CLUSTER HEAD ALT.		D.B.	S.M.
3	CITY DWG. 5-3	3/93	D.B.	S.M.
4	DRAWING UPDATE	5/01	D.B.	B.B.

BY	DATE
DESIGNED: DRB	10/93
CHECKED:	
APPROVED:	
FILENAME: TDS5_3	

CITY OF SPRINGFIELD  
 DEPT. OF PUBLIC WORKS  
 TRANSPORTATION DIVISION  
 225 FIFTH STREET  
 SPRINGFIELD, OR. 97477  
 (541) 726-3753



**VEHICLE SIGNAL MOUNTING DETAILS**

STANDARD DRAWING  
 5-3