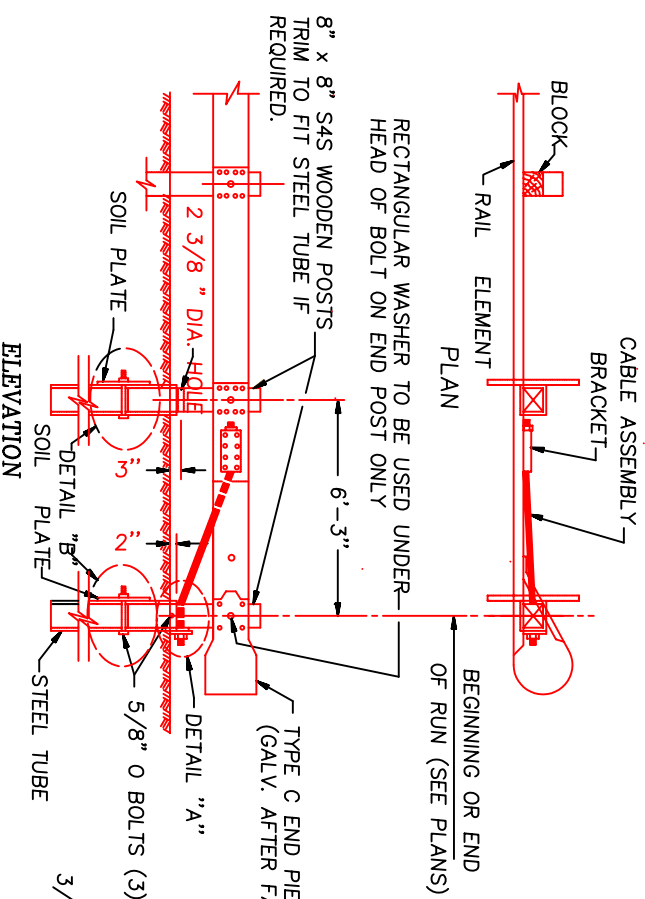
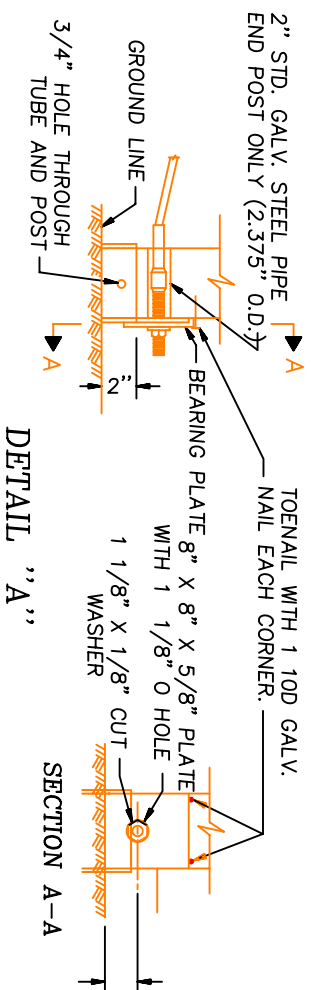


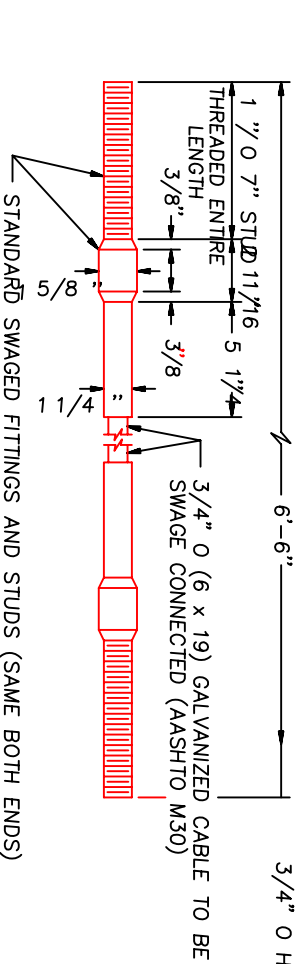
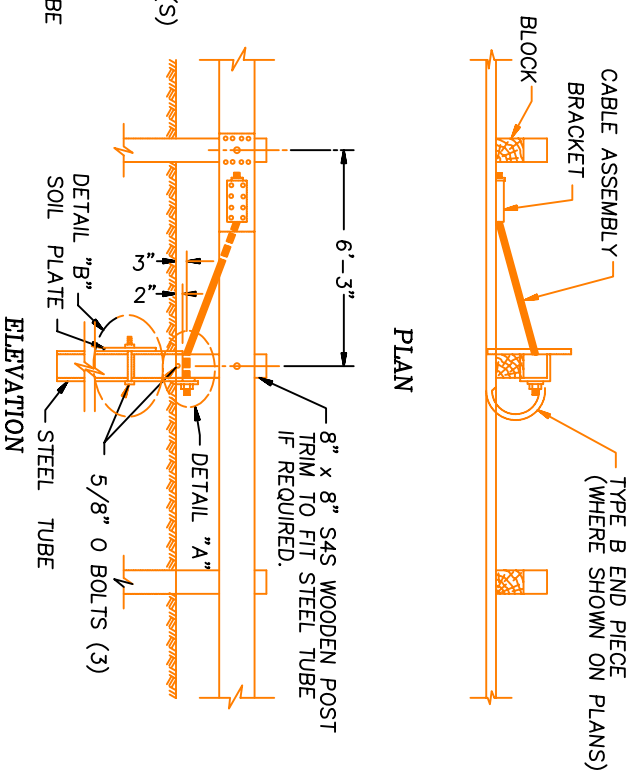
**TYPE 1  
BREAKAWAY CABLE TERMINAL**



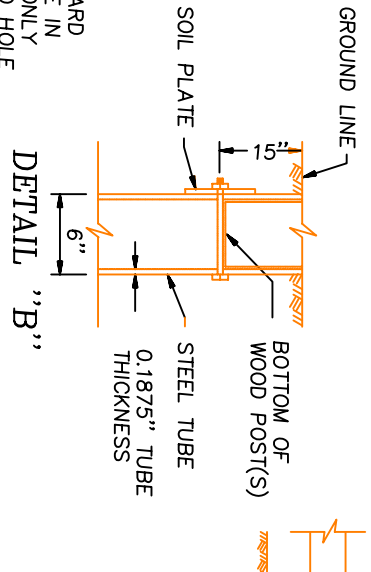
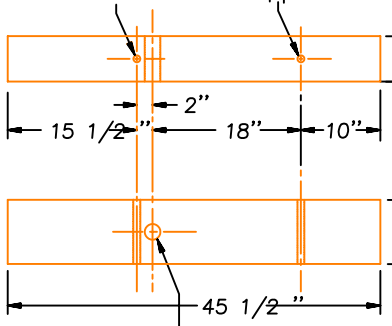
**ANCHORS (STEEL)  
(WHERE SHOWN ON PLANS)**



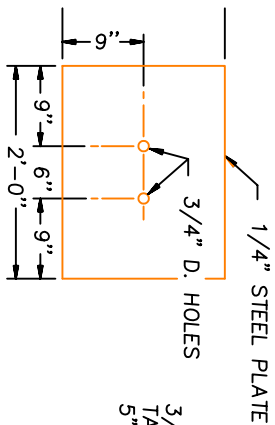
**TYPE 1 MODIFIED**



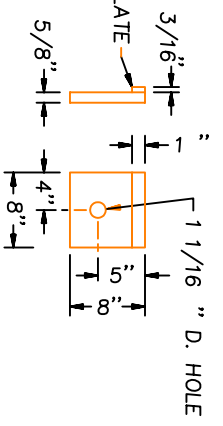
**WOOD BREAKAWAY POST**



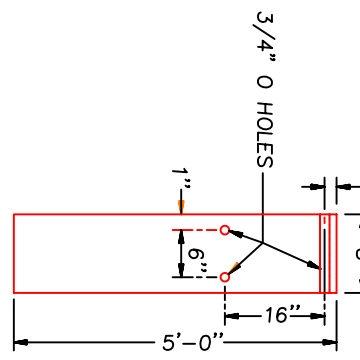
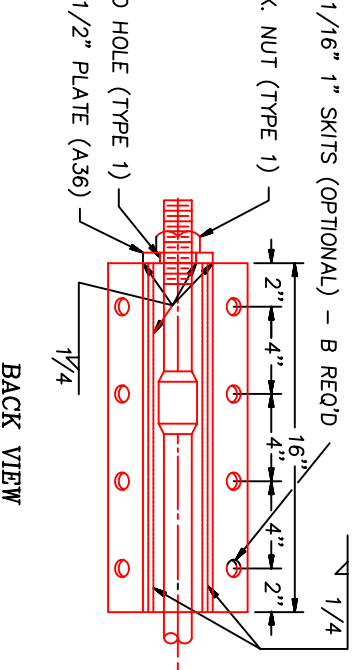
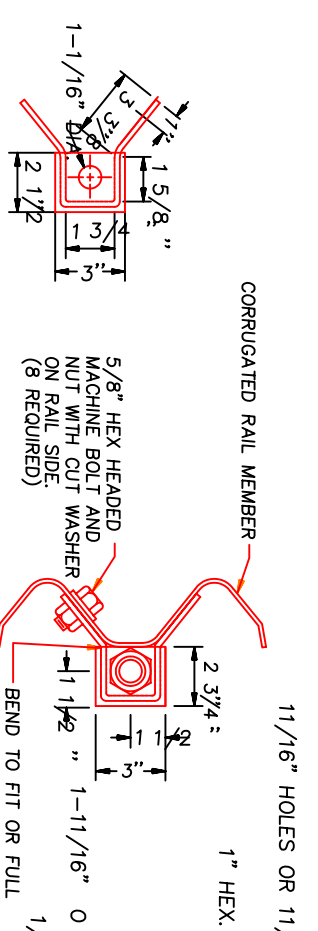
**SOIL PLATE**



**BEARING PLATE**



**CABLE ASSEMBLY**



**GENERAL NOTES:**

- 1. (A) CABLE ASSEMBLY TO BE TIGHTENED TO A TAUT CONDITION ON INITIAL INSTALLATION.
- (B) FINAL TENSION CHECK AND TIGHTENING OF CABLE ASSEMBLY AS REQUIRED TO BE DONE 30 DAYS FOLLOWING INITIAL INSTALLATION.

END VIEW  
ALTERNATE NO. 1

END VIEW  
ALTERNATE NO. 2

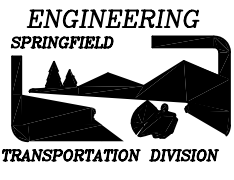
**BRACKET**

NOTE: ALL PLATE FOR BRACKET TO BE 1/4" THICK (A-36) STEEL  
UNLESS OTHERWISE NOTED.

**STEEL TUBE**

NOTE: DRAWING NOT TO SCALE  
ALL BOLTS, NUTS AND WASHERS SHALL BE GALV. STEEL UNLESS NOTED OTHERWISE. ALL SET SCREWS SHALL BE MIN. 1/4" STAINLESS STEEL WITH SQUARE OR HEX HEADS. ALL SPANWIRE HANGERS AND FLUMIDZERS SHALL BE CAST BRONZE.

**GUARDRAIL ANCHOR  
STANDARD DETAIL**



**CITY OF SPRINGFIELD  
DEPT. OF PUBLIC WORKS  
TRANSPORTATION DIVISION**  
225 FIFTH STREET  
SPRINGFIELD, OR. 97477  
(541) 726-3753

BY	DATE
DRAWN: DRB	10/93
DESIGNED:	
CHECKED:	
APPROVED:	
FILENAME:	TSD5_20

NO	REVISION	DATE	BY	APPR.
1	FORM. ODOT DRG. 2126F	2/94		
2	STD. DWG. UPDATE	7/01	D.D.	B.B