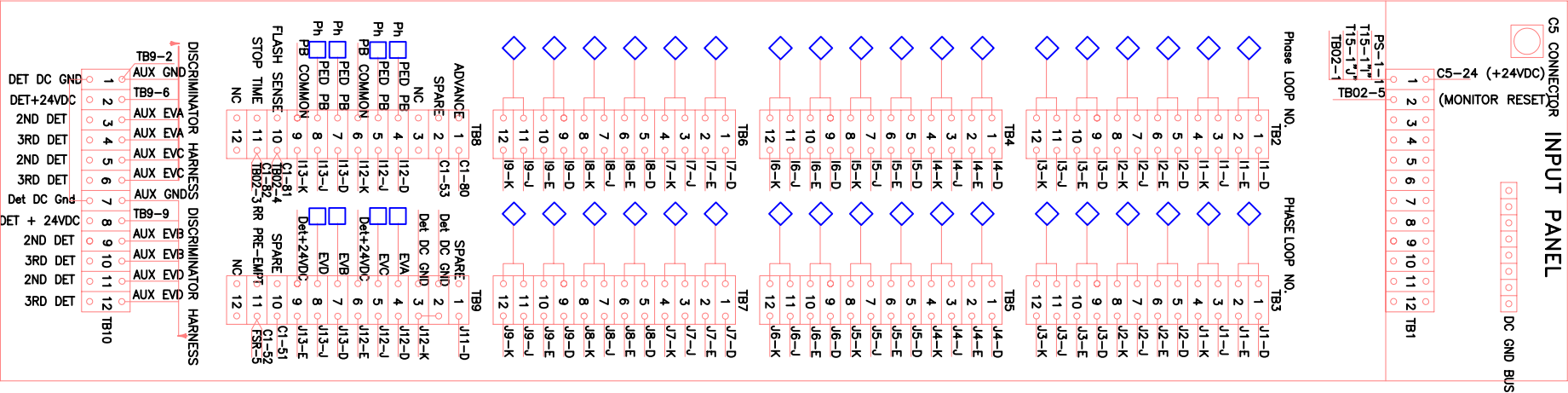
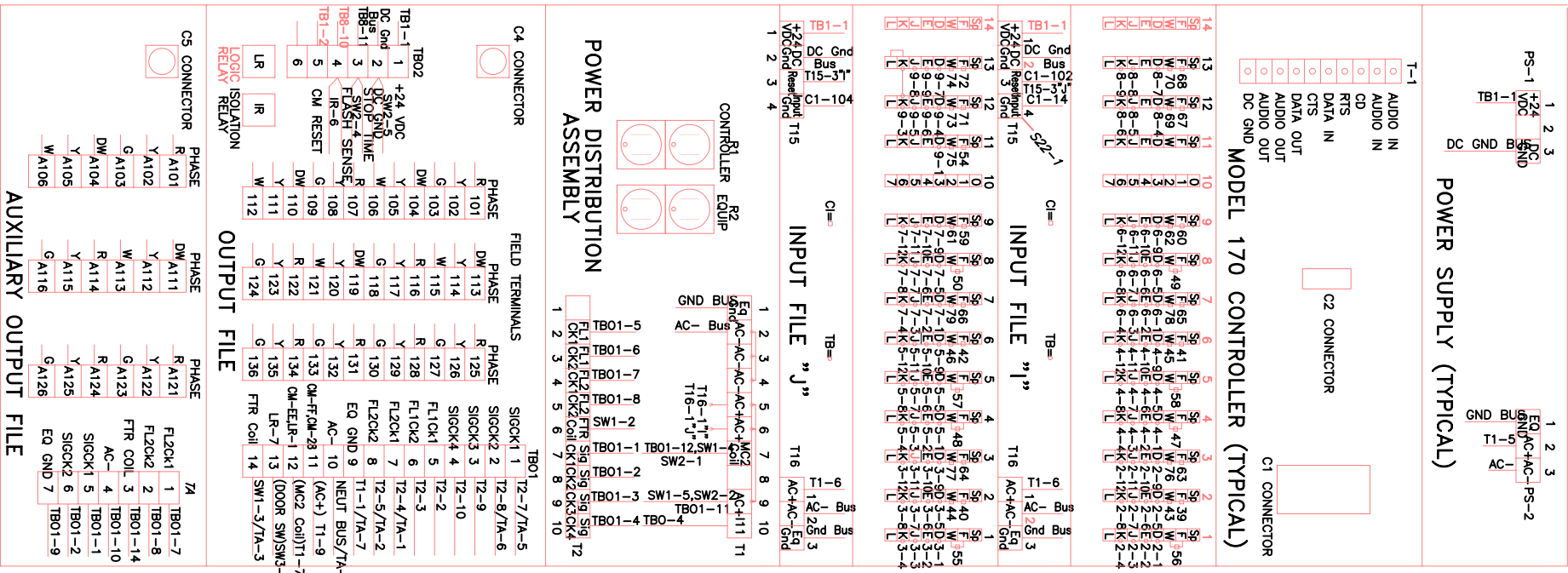


(Side View)



(Rear View)



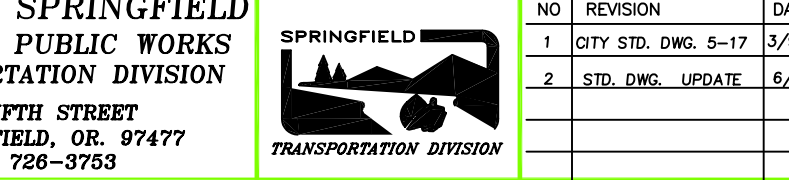
PROGRAM NUMBER BI TRANS 222

Program Functions	C1 Connector Pin	Termination	C4 Connector Pin	Switch Pack In Position	Field Term.
LOGIC GND	1	DC Gnd Bus	1	6	-
4P DNT WALK	2	C4-1	2	10	6-DW
4 RED	3	C4-2	3	6-W	3 104
4 YELLOW	4	C4-3	4	5-R	3 101
4 GREEN	5	C4-4	5	5-G	3 102
3 YELLOW	6	C4-5	6	5-G	3 103
3 RED	7	C4-6	7	4-R	3 116
3 GREEN	8	C4-7	8	4-R	3 117
2P DNT WALK	9	C4-8	9	10	3-DW
2P WALK	10	C4-9	10	10	3-DW
2 RED	11	C4-10	11	6	2-R
2 YELLOW	12	C4-11	12	2-R	3 128
2 GREEN	13	C4-12	13	2-Y	5 129
LOGIC GND	14	T15-4	14	-	7 130
2 GREEN	15	C4-13	15	10	2-G
1 RED	16	C4-14	16	1	1-R
1 YELLOW	17	C4-15	17	8	1-Y
1 GREEN	18	C4-16	18	10	1-G
BP DNT WALK	19	C4-17	19	6	12-DW
BP WALK	20	C4-18	20	10	12-W
8 RED	21	C4-19	21	6	11-R
8 YELLOW	22	C4-20	22	8	11-Y
8 GREEN	23	C4-21	23	10	11-G
7 RED	24	C4-22	24	10	10-R
7 YELLOW	25	C4-23	25	8	10-Y
7 GREEN	26	C4-24	26	10	10-G
BP DNT WALK	27	C4-25	27	6	9-DW
BP WALK	28	C4-26	28	10	9-W
6 RED	29	C4-27	29	6	8-R
6 YELLOW	30	C4-28	30	8	8-Y
6 GREEN	31	C4-29	31	10	8-G
5 RED	32	C4-30	32	6	7-R
5 YELLOW	33	C4-31	33	8	7-Y
5 GREEN	34	C4-32	34	10	7-G
100 DNT 1 (00A)	35	C4-33	35	8	3-Y
SP RN 1 (00B)	36	C4-34	36	8	6-Y
100 DNT 2 (00Y)	37	C4-35	37	8	5 120
SP RN 2 (00Z)	38	C4-36	38	8	12-Y

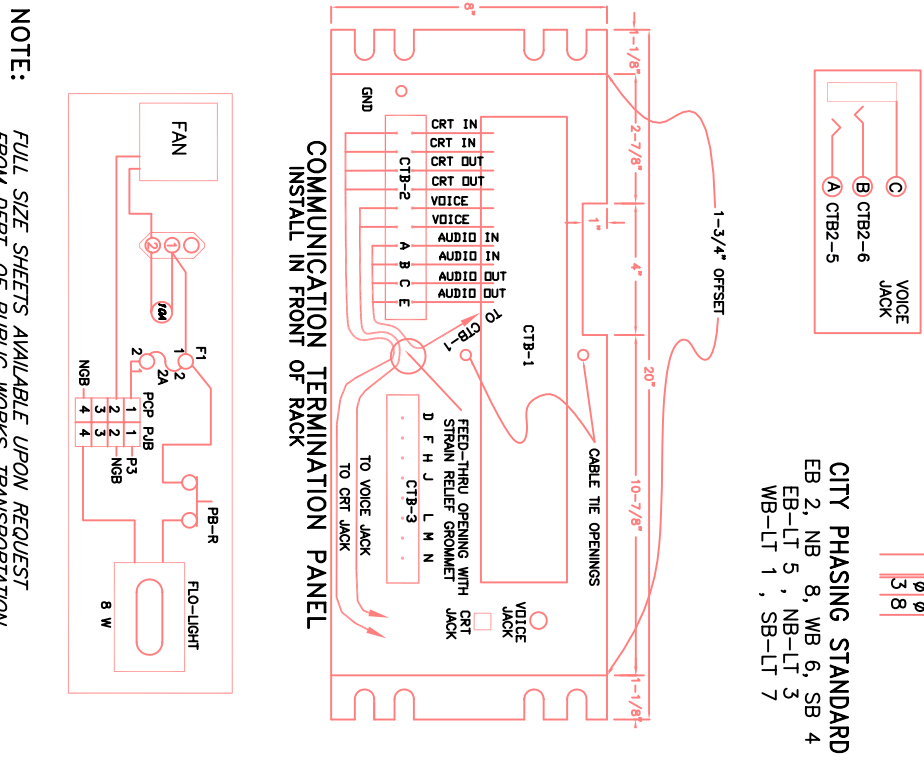
Program Functions	C1 Connector Pin	Termination	C5 Connector Pin	Switch Pack In Position	Field Term.
DECT RESET	1B2	T15-1,3"	19	NC	-
WATCHDOG	1D3	C4-37	20	NC	-
LOGIC GND	1D4	T15-4,7"	21	NC	-
			22	NC	-
			23	NC	-
			24	TB1-1	All 9 +24VDC



CONNECTOR PIN - PROGRAM ASSIGNED FUNCTIONS



Program Functions	C1 Connector Pin	Termination	Input Files	Field Terminals
2 ECT	39	J2-1	F D&E	TB2-5&6
6 ECT	40	J2-1	F D&E	TB3-5&6
4 ECT	41	J6-1	F D&E	TB4-9&10
8 ECT	42	J6-1	F D&E	TB5-9&10
2 ECT	43	J2-2	W J&K	TB2-7&8
6 ECT	44	J2-2	W J&K	TB3-7&8
4 ECT	45	J6-2	W J&K	TB4-11&12
8 ECT	46	J6-2	W J&K	TB5-11&12
SWT 7 (2 00)	47	J4-1&2	F&W DE&JK	TB4-1,2&3,4
6 CALL DET	48	J4-1&2	F&W DE&JK	TB5-1,2&3,4
SWT 8 (4 00)	49	J4-1&2	F&W DE&JK	TB6-5,6&7,8
8 CALL DET	50	J8-1&2	F&W DE&JK	TB7-5,6&7,8
100K (00A)	51	-	-	TB9-10
RAILROAD	52	-	-	TB9-11
SF 2 (00V EN)	53	-	-	TB9-12
SF 3 (00Z)	54	J11-1	F D&E	TB9-1
5 ECT	55	J1-1&2	F&W DE&JK	TB3-1,2&3,4
7 ECT	56	J1-1&2	F&W DE&JK	TB2-1,2&3,4
3 ECT	57	J5-1&2	F&W DE&JK	TB5-5,6&7,8
ST DT 3 (06 3)	58	J9-1	F D&E	TB7-9&10
ST DT 1 (06 1)	59	J9-1	F D&E	TB6-9&10
ST DT 4 (06 4)	60	J9-2	W J&K	TB7-11&12
ST DT 2 (06 2)	61	J9-2	W J&K	TB6-11&12
2 ECT	62	J3-1	F D&E	TB3-9&10
6 ECT	64	J3-1	F D&E	TB5-9&10
4 ECT	65	J7-1	F D&E	TB6-1&2
8 ECT	66	J7-1	F D&E	TB7-1&2
2 PED PB	67	J12-1	F D	TB8-4
6 PED PB	68	J13-1	F D	TB8-7
4 PED PB	69	J13-2	W J	TB8-5
8 PED PB	70	J13-2	W J	TB8-8
EVA PREEMPT	71	J12-1	F D	TB9-4
EVB PREEMPT	72	J12-2	F D	TB9-7
EVC PREEMPT	73	J12-2	W J	TB9-5
EVD PREEMPT	74	J13-2	W J	TB9-8
SP (0L 3 INT)	75	J11-2	W J&K	TB2-11&12
6 EXT	76	J3-2	W J&K	TB3-11&12
4 EXT	77	J7-2	W J&K	TB6-3&4
8 EXT	78	J7-2	W J&K	TB7-3&4
SP RN 1 (00V)	80	-	-	TB8-1
Flash Sense	81	-	-	TB8-10
Stop Time	82	-	-	TB8-11



NOTE: FULL SIZE SHEETS AVAILABLE UPON REQUEST FROM DEPT. OF PUBLIC WORKS-TRANSPORTATION

MANUFACTURER: _____
 SUPPLIER: _____
 CONTRACTOR: _____
 CONTRACT NO: _____
 APPROVED: _____
 TRAFFIC ENGINEER _____
 FILENAME TSD5_17

CITY OF SPRINGFIELD
 DEPT. OF PUBLIC WORKS
 TRANSPORTATION DIVISION
 225 FIFTH STREET
 SPRINGFIELD, OR. 97477
 (541) 726-3753



NO	REVISION	DATE	BY	APPR.
1	CITY STD. DWG. 5-17	3/94		
2	STD. DWG. UPDATE	6/01	D.B.	B.B.

STANDARD DRAWING 5-17

MODEL 332 CABINET
 WIRING DIAGRAM
 SHEET 2 OF 2

INTERSECTION: _____
 MODEL 170 CONTROLLER-SERIAL NO. _____
 CONTROL PROGRAM _____ MODEM 40d _____
 CONFLICT MONITOR-SERIAL NO. _____