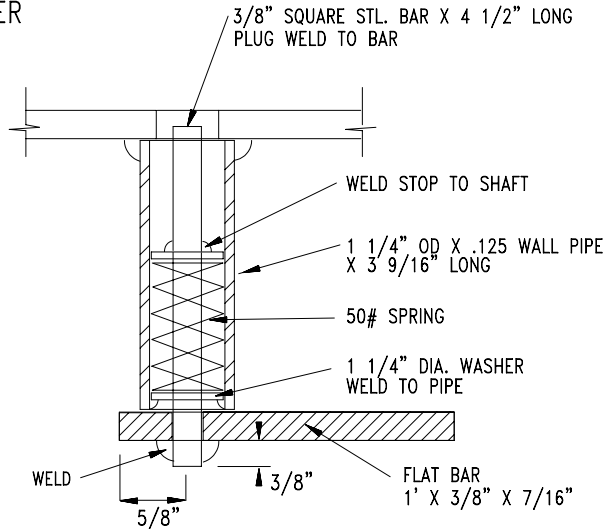
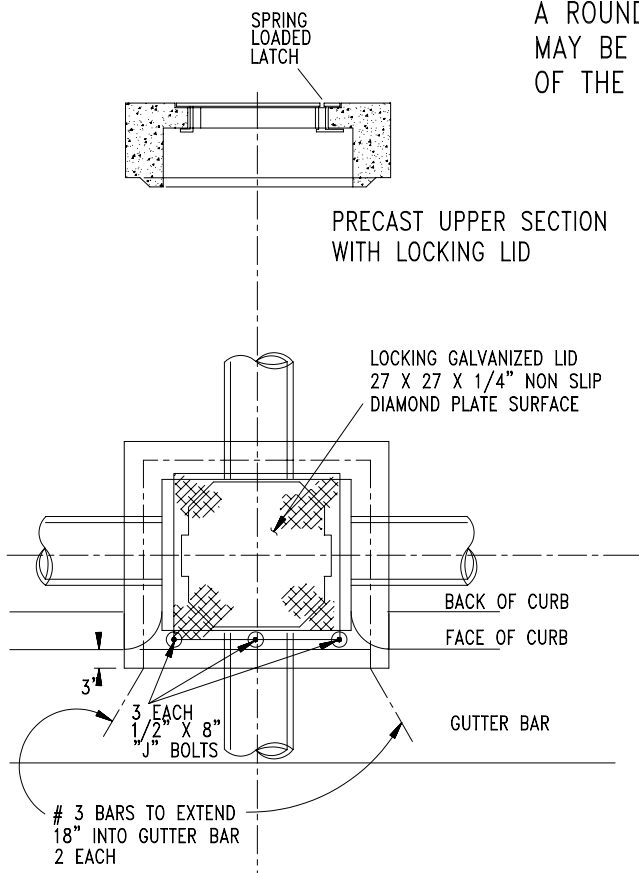
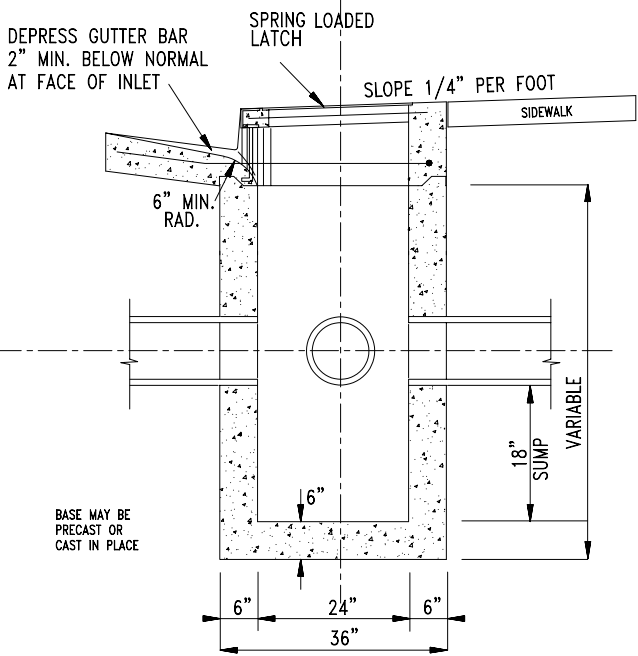
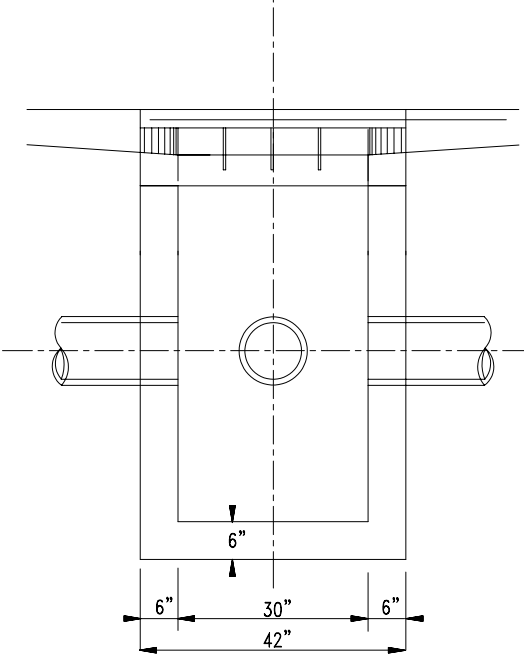


A ROUND MANHOLE TYPE LID  
MAY BE USED WITH APPROVAL  
OF THE ENGINEER



SPRING LOADED LATCH

- ALL CONCRETE SHALL BE MIN. 3500 PSI COMPRESSIVE STRENGTH AT 28 DAYS
- UPPER SECTION TO BE 48" STORM DRAIN INLET BY WALTS CONCRETE COMPANY OR EQUAL



NO	REVISION	DATE	BY	APPR.

CITY OF SPRINGFIELD  
DEPT. OF PUBLIC WORKS  
  
225 FIFTH STREET  
SPRINGFIELD, OR. 97477

CURB INLET CATCH BASIN  
TYPE 2 1/2A

STANDARD  
DRAWING  
  
4-9