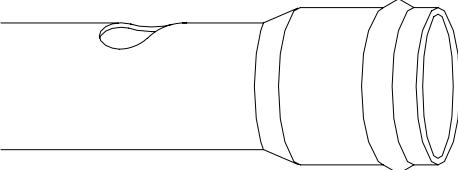
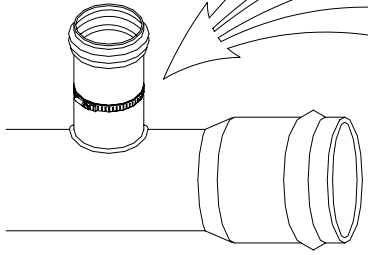
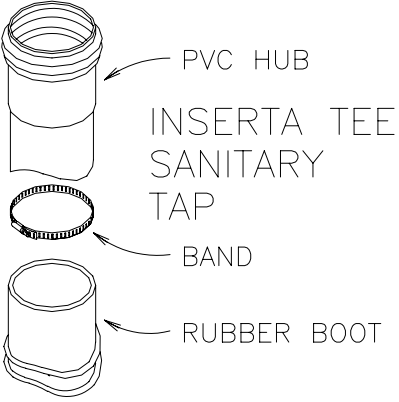
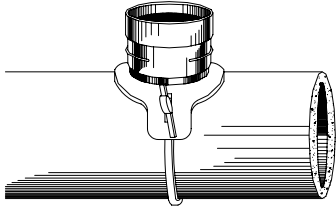
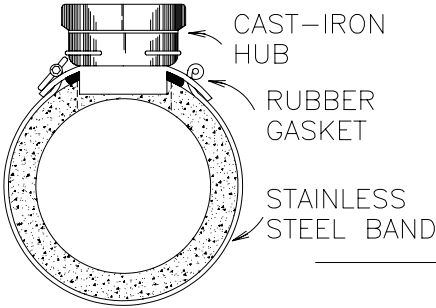


FOWLER-TYPE TEE
OR EQUAL



NO	REVISION	DATE	BY	APPR.

CITY OF SPRINGFIELD
DEPT. OF PUBLIC WORKS
225 FIFTH STREET
SPRINGFIELD, OR. 97477

TYPICAL
PIPE CONNECTIONS

STANDARD
DRAWING

4-7