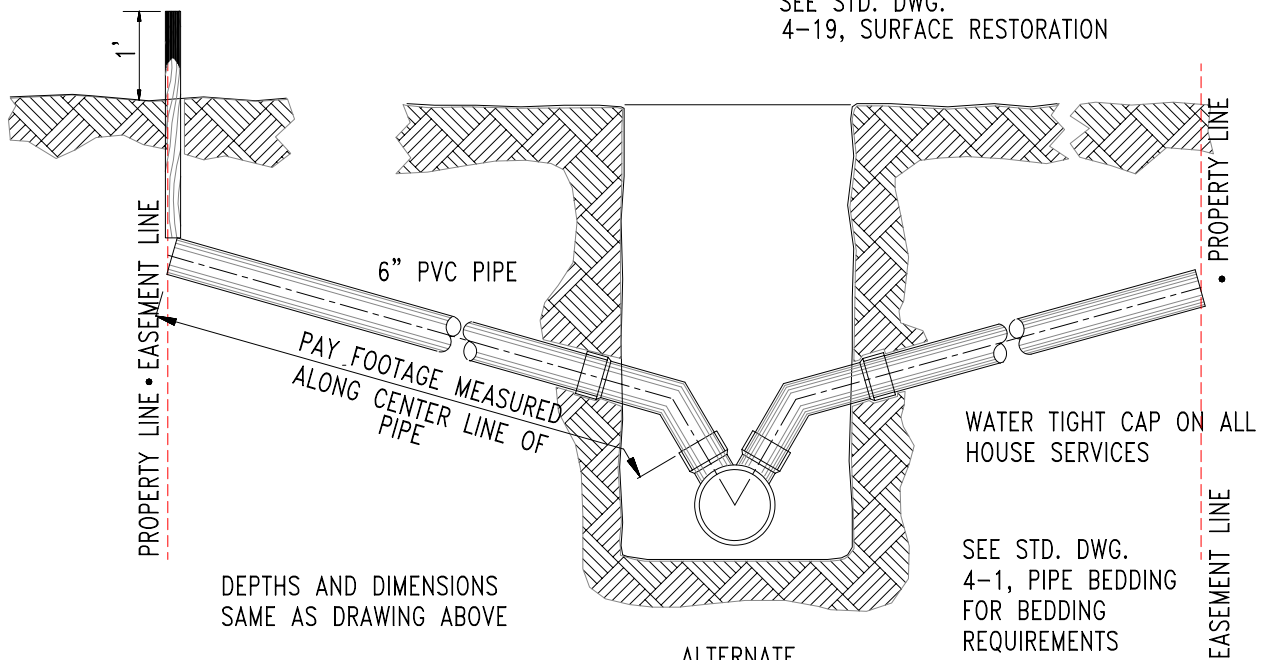


WHEN CONNECTING TO EXISTING LINE
 MAIN LINE SHALL BE CORE DRILLED ON TOP
 OF PIPE AND CONNECTION SHALL BE MADE
 ON TOP OF PIPE WITH A MECHANICAL CONNECTOR
 SUCH AS THE INSERT-A-TEE CONNECTOR.
 TAP SHALL BE 4" DIA. IF MAIN LINE IS 8" DIA.

WOOD STAKE
 TREATED 2X4
 PAINTED WHITE
 MARKING END OF ALL
 HOUSE SERVICES

SEE STD. DWG.
 4-19, SURFACE RESTORATION



DEPTHS AND DIMENSIONS
 SAME AS DRAWING ABOVE

WATER TIGHT CAP ON ALL
 HOUSE SERVICES

SEE STD. DWG.
 4-1, PIPE BEDDING
 REQUIREMENTS

ALTERNATE
 INSTALLATION

NO	REVISION	DATE	BY	APPR.

CITY OF SPRINGFIELD
 DEPT. OF PUBLIC WORKS

225 FIFTH STREET
 SPRINGFIELD, OR. 97477

HOUSE SERVICE CONNECTIONS
 TO LATERAL

STANDARD
 DRAWING