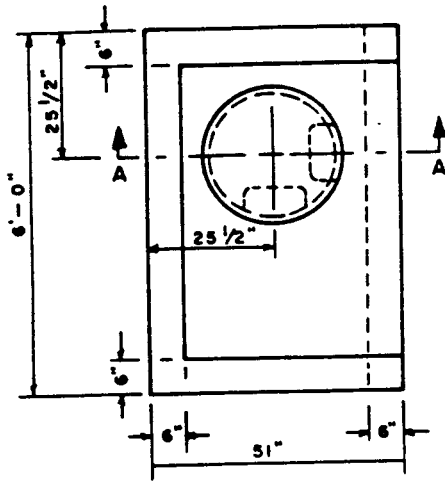


CONCRETE SLOPE PROTECTOR

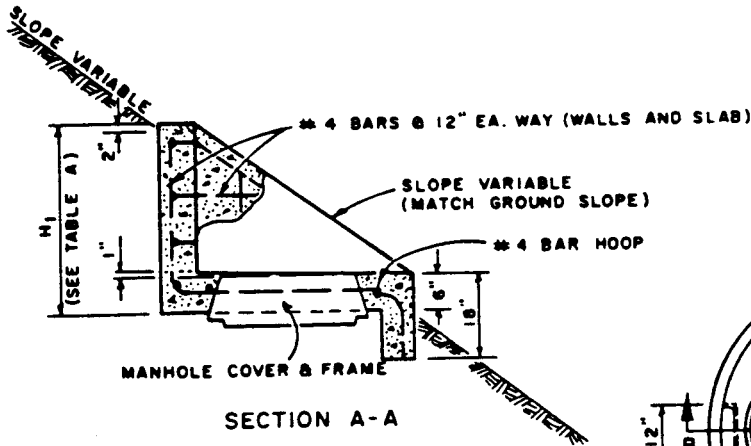


NOTE:

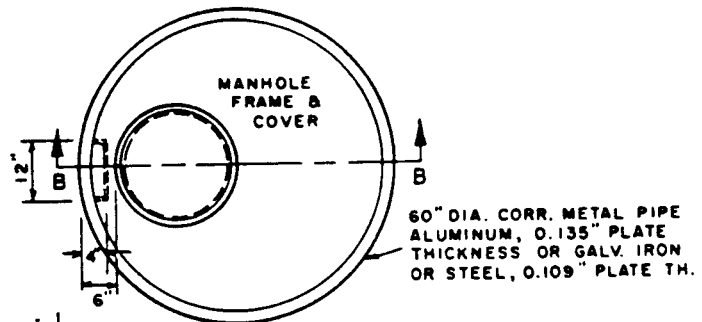
1. ALL REINFORCING STEEL SHALL BE PLACED 2" CLEAR OF NEAREST FACE OF CONCRETE UNLESS SHOWN OR NOTED OTHERWISE.
2. ALL BAR SPLICES TO BE 20 DIAMETER.

TABLE A

SLOPE	H ₁	CONC. CU. YD.	STEEL LB.
1 1/2 : 1	3'-0"	1.00	88
2 : 1	2'-4 1/2"	0.89	75
3 : 1	1'-9"	0.78	70
4 : 1	1'-5 1/4"	0.72	63
6 : 1	1'-1 1/2"	0.66	60



METAL PIPE SLOPE PROTECTOR



60" DIA. CORR. METAL PIPE
ALUMINUM, 0.135" PLATE
THICKNESS OR GALV. IRON
OR STEEL, 0.109" PLATE TH.

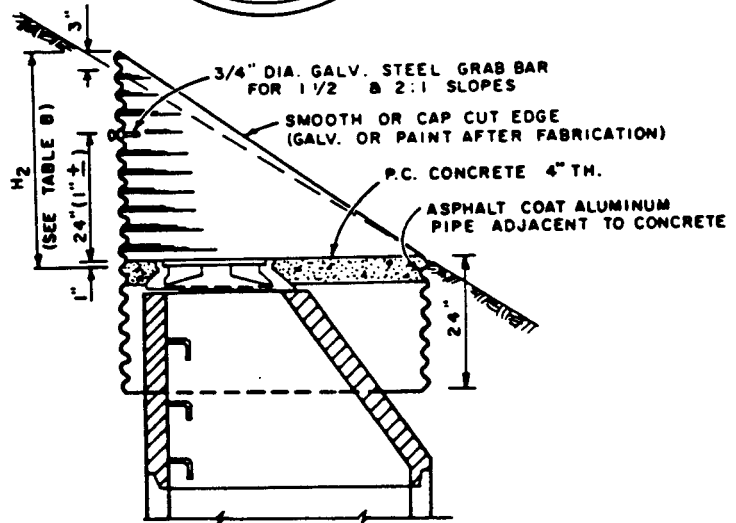


TABLE B

SLOPE	H ₂
1 1/2 : 1	3'-8"
2 : 1	2'-9"
3 : 1	2'-0"
4 : 1	1'-6"
6 : 1	1'-1"

SECTION B - B

NO.	REVISION	DATE	BY	APPR.

CITY OF SPRINGFIELD
DEPT. OF PUBLIC WORKS

225 FIFTH STREET
SPRINGFIELD, OR. 97477

SLOPE PROTECTION
FOR MANHOLES

STANDARD
DRAWING

4-5