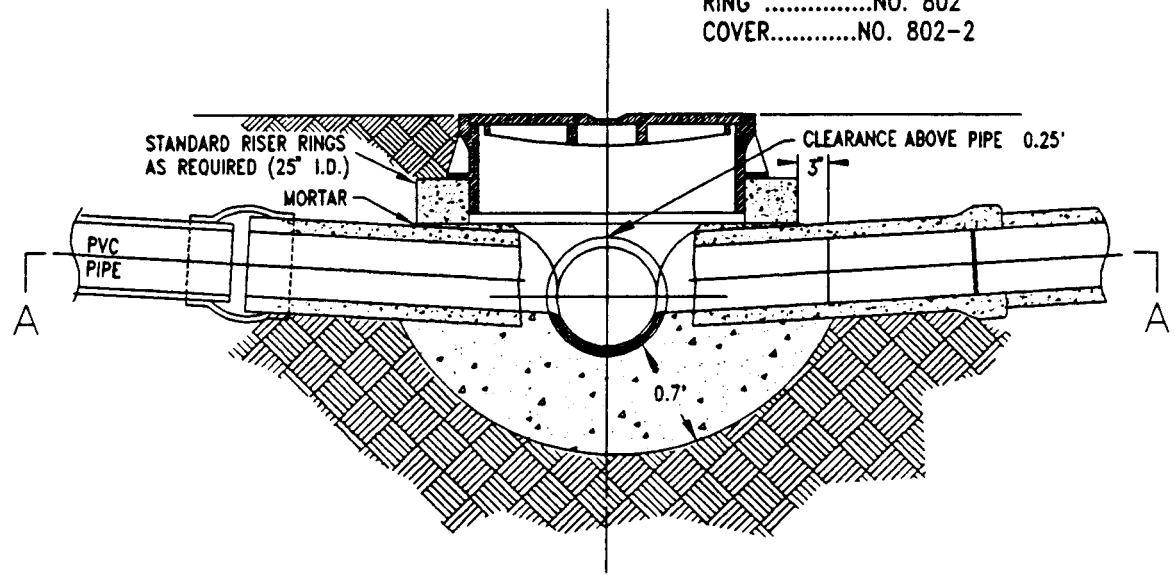
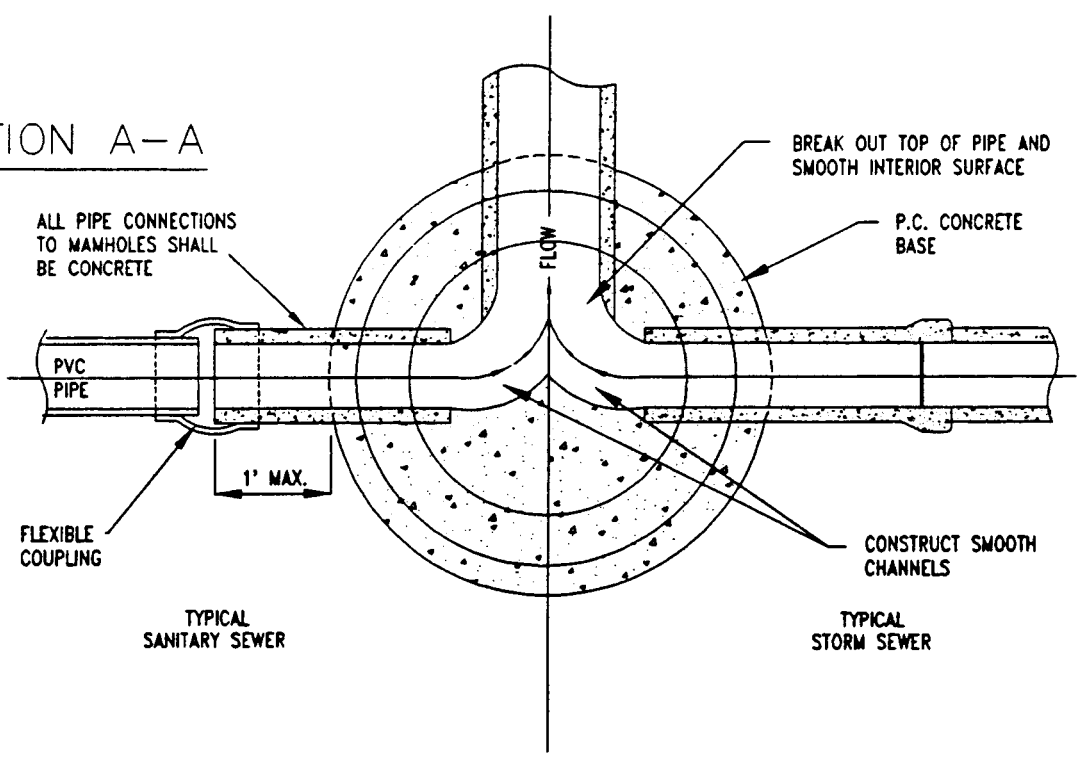


COVER AND FRAME  
 INLAND FOUNDRY CO. INC.  
 OR EQUAL  
 RING .....NO. 802  
 COVER.....NO. 802-2



SECTION A-A



| NO | REVISION | DATE | BY | APPR. |
|----|----------|------|----|-------|
|    |          |      |    |       |
|    |          |      |    |       |
|    |          |      |    |       |
|    |          |      |    |       |

CITY OF SPRINGFIELD  
 DEPT. OF PUBLIC WORKS

225 FIFTH STREET  
 SPRINGFIELD, OR. 97477

SHALLOW MANHOLE

STANDARD DRAWING

4-3