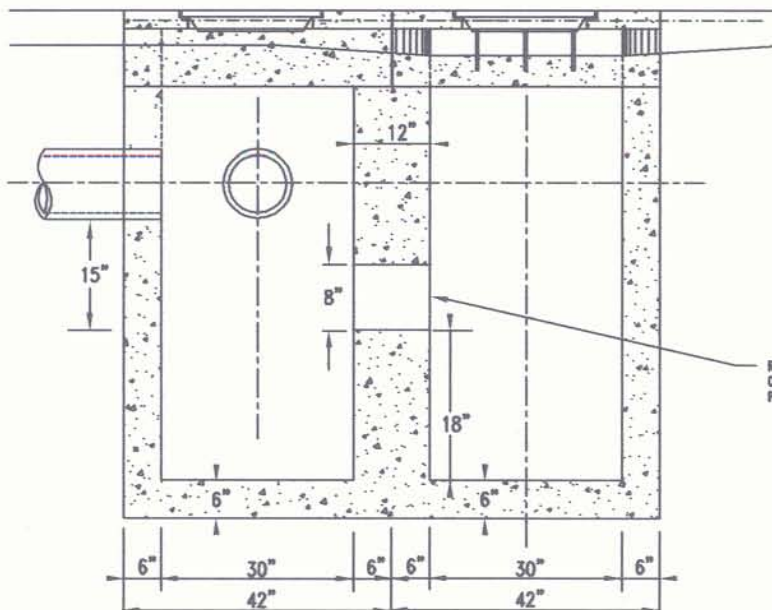
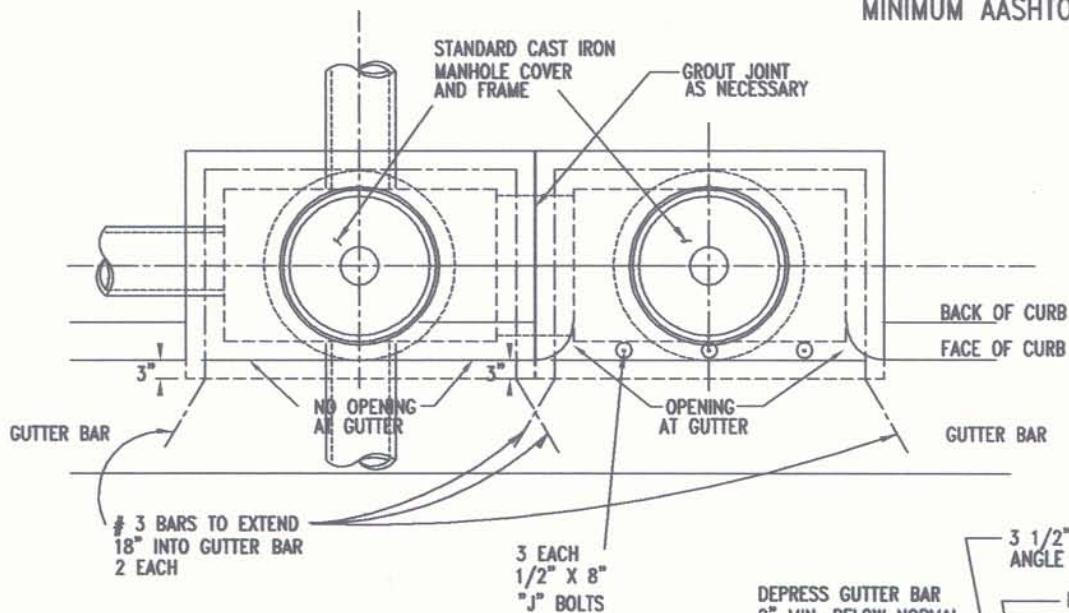




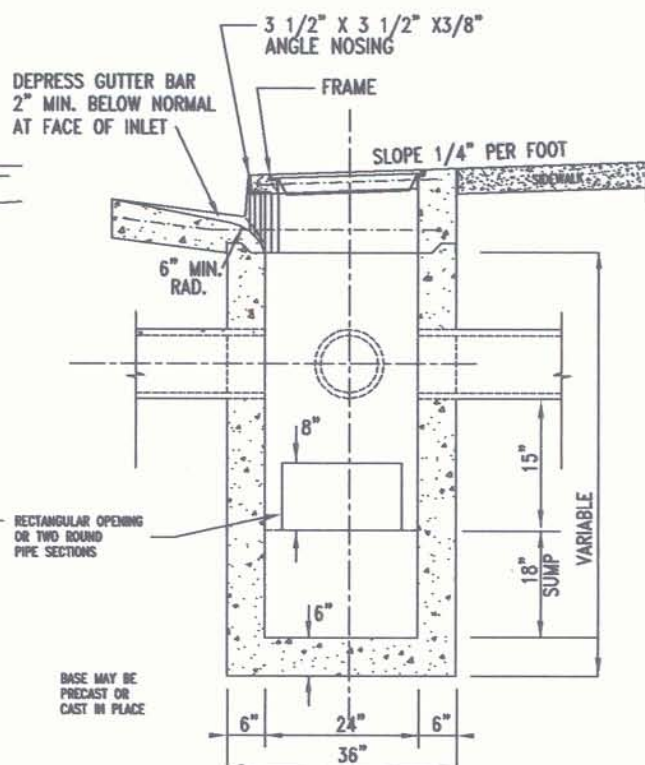
PRECAST UPPER SECTION WITH LID

- ALL CONCRETE SHALL BE MIN. 3500 PSI COMPRESSIVE STRENGTH AT 28 DAYS
- UPPER SECTION TO BE (2) 2 1/2A STORM INLET BY ROGER LANGLIERS CONCRETE COMPANY OR EQUAL
- ALL COMPONENTS SHALL WITHSTAND MINIMUM AASHTO HS-20 LOADING



2 1/2A

2 1/2A



BASE MAY BE PRECAST OR CAST IN PLACE

NO	REVISION	DATE	BY	APPR.

CITY OF SPRINGFIELD
SPRINGFIELD



DEPT. OF PUBLIC WORKS

CURB INLET CATCH BASIN
MODIFIED TYPE 2 1/2A

Ken Vogeneity
Ken Vogeneity City Engineer 2006

STANDARD
DRAWING

4-21

2006