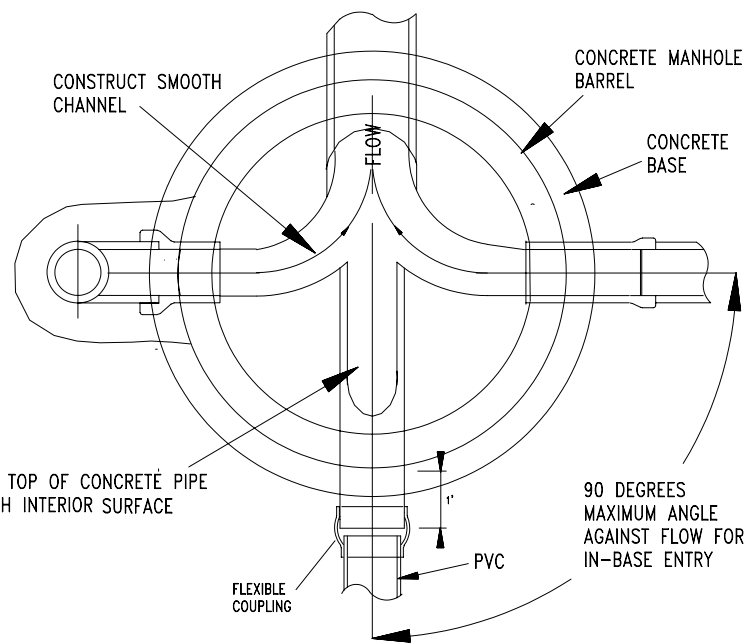


NOTE:

ALL CONCRETE MANHOLES, RISERS, CONES AND FLAT TOPS SHALL CONFORM TO ASTM C 478-61T.

PIPE CONNECTIONS TO MANHOLES SHALL BE "CORE-N-SEAL" OR EQUAL



SEE STD. DWG. NO. 4-3

SECTION A-A

INSIDE DROP STRUCTURE NOT ALLOWED

NO	REVISION	DATE	BY	APPR.

CITY OF SPRINGFIELD
DEPT. OF PUBLIC WORKS

225 FIFTH STREET
SPRINGFIELD, OR. 97477

STANDARD DROP STRUCTURE

STANDARD DRAWING