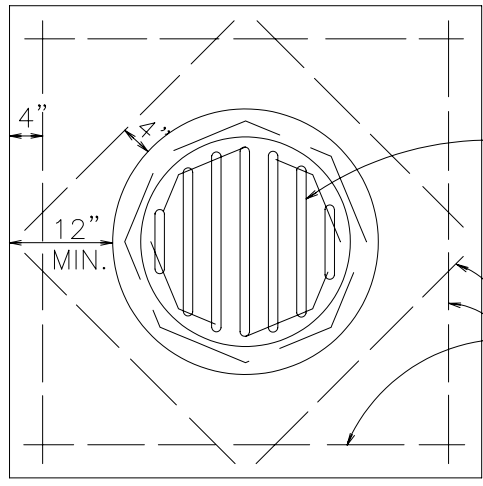
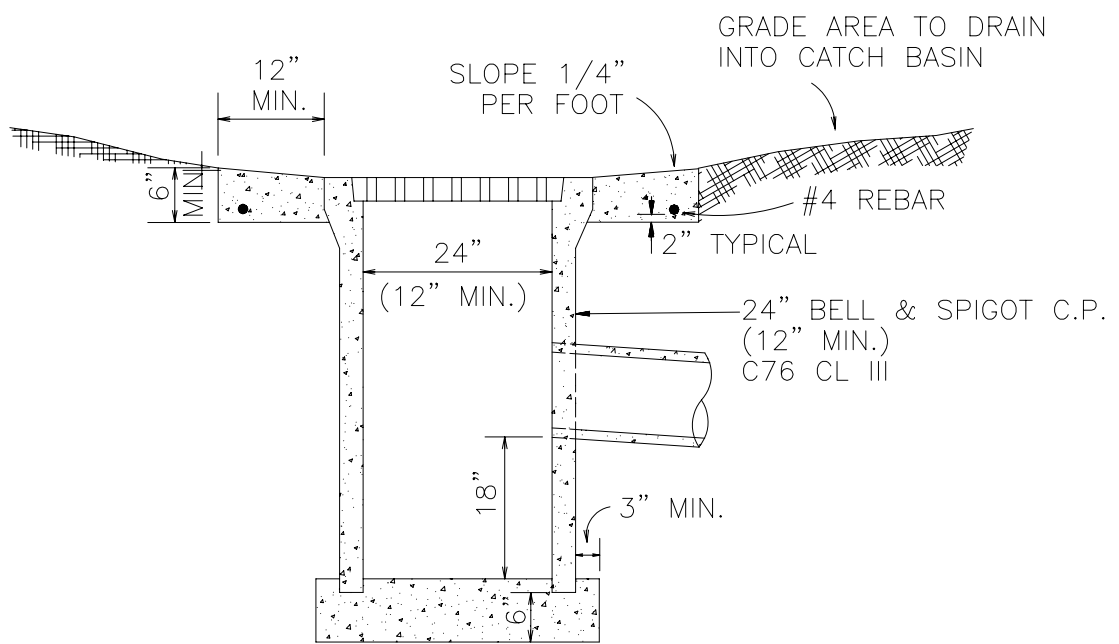


NOTE:
 GRATE TO BE
 MACHINED TO FIT
 PIPE BELL
 IF NECESSARY



INLAND FOUNDRY CO. INC.
 GRATE.....NO. 700 SERIES
 OR EQUAL

#4 REBAR



NO SCALE

NO	REVISION	DATE	BY	APPR.

CITY OF SPRINGFIELD
 DEPT. OF PUBLIC WORKS
 225 FIFTH STREET
 SPRINGFIELD, OR. 97477

AREA DRAIN

STANDARD
 DRAWING
 4-12