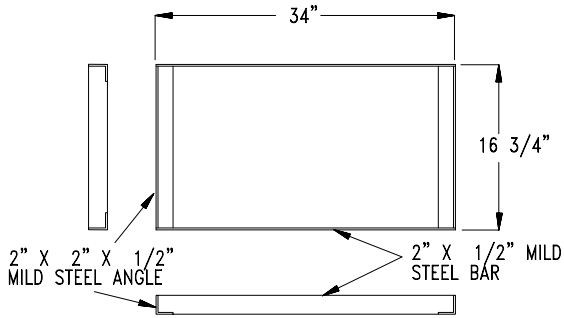
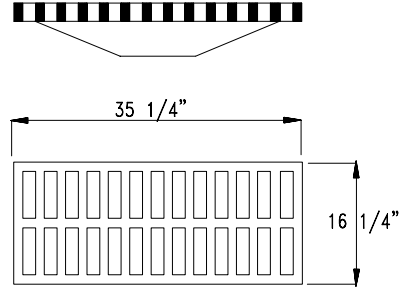


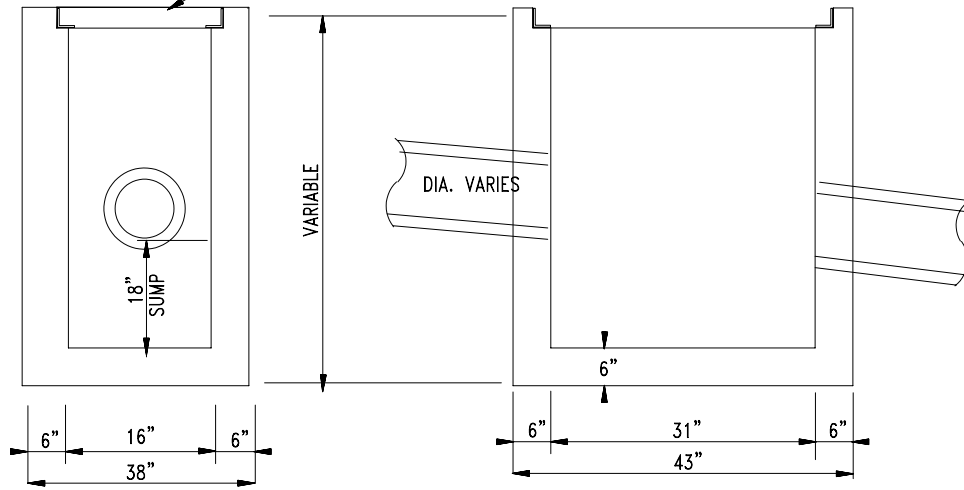
"BICYCLE PROOF"
GRATE FRAME
AS APPROVED BY ENGINEER.



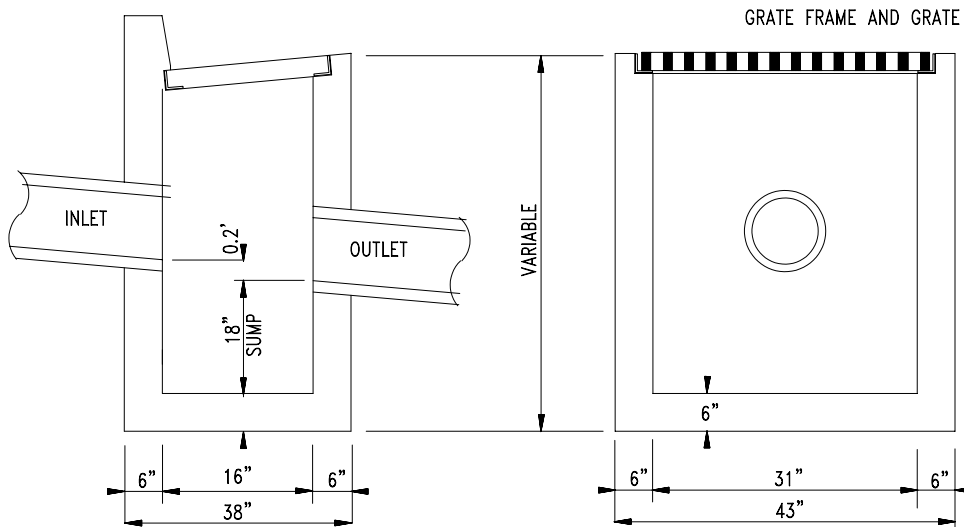
FABRICATED STEEL FRAME



GRATE FRAME AND GRATE



AREA DRAIN CATCH BASIN



STREET DRAIN CATCH BASIN

NO	REVISION	DATE	BY	APPR.

CITY OF SPRINGFIELD
DEPT. OF PUBLIC WORKS

225 FIFTH STREET
SPRINGFIELD, OR. 97477

CATCH BASIN

STANDARD
DRAWING

4-11