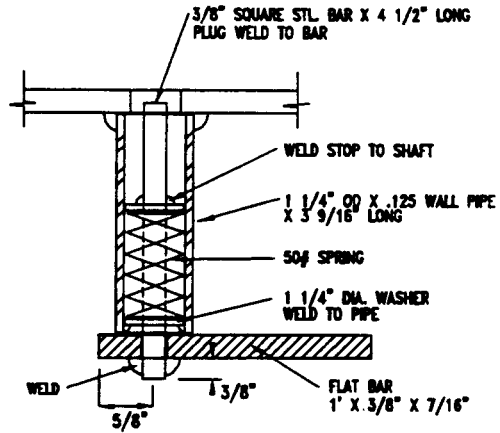
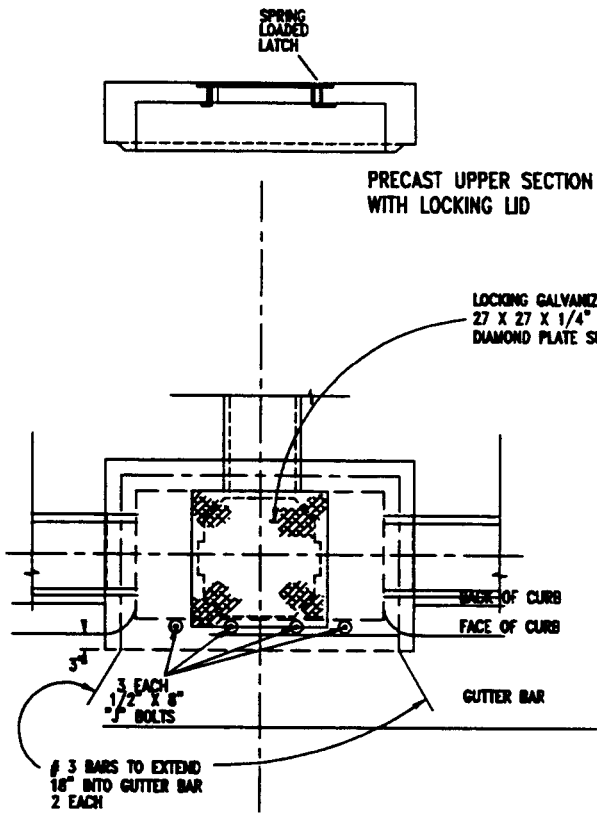
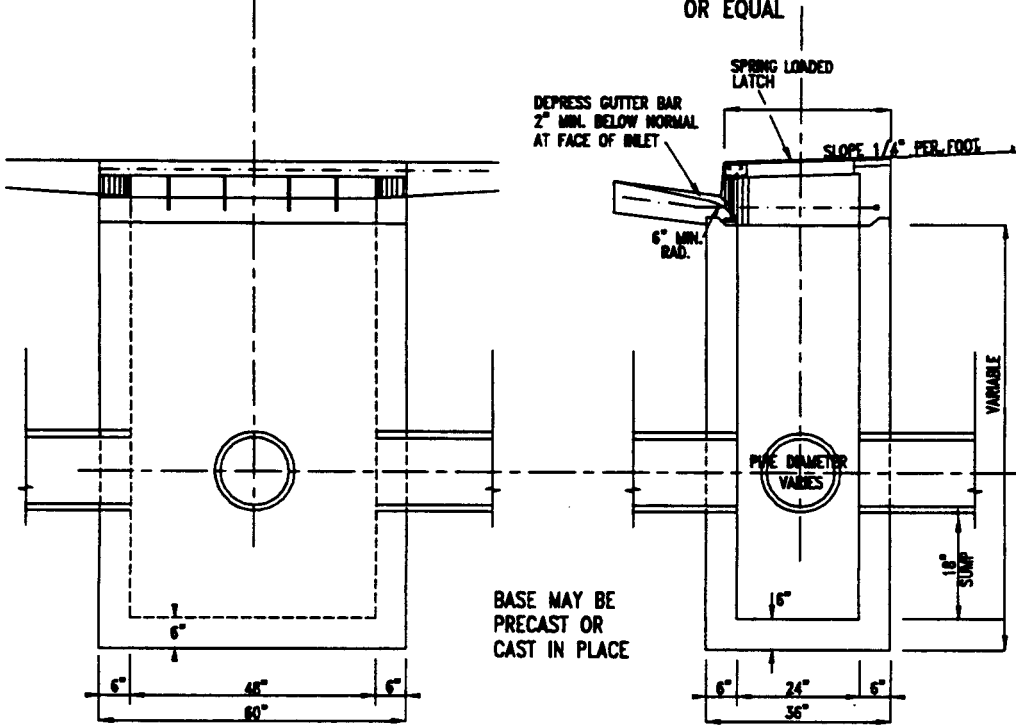


A ROUND MANHOLE TYPE LID
MAY BE USED WITH APPROVAL
OF THE ENGINEER



SPRING LOADED LATCH

- ALL CONCRETE SHALL BE MIN. 3500 PSI COMPRESSIVE STRENGTH AT 28 DAYS
- UPPER SECTION TO BE STORM DRAIN INLET BY WALTS CONCRETE COMPANY OR EQUAL



REVISION	DATE	BY	APPR.

CITY OF SPRINGFIELD
DEPT. OF PUBLIC WORKS

225 FIFTH STREET
SPRINGFIELD, OR. 97477

CURB INLET CATCH BASIN
TYPE 4A

STANDARD
DRAWING

4-10A