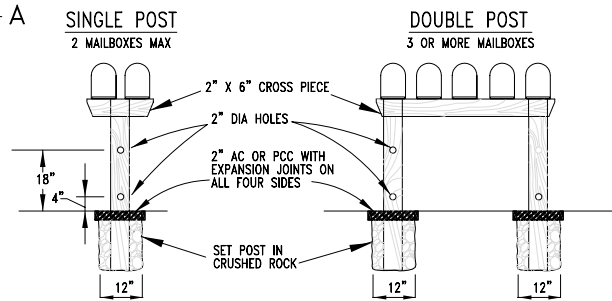
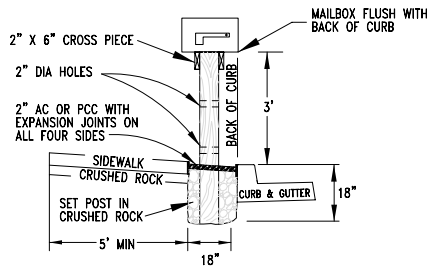
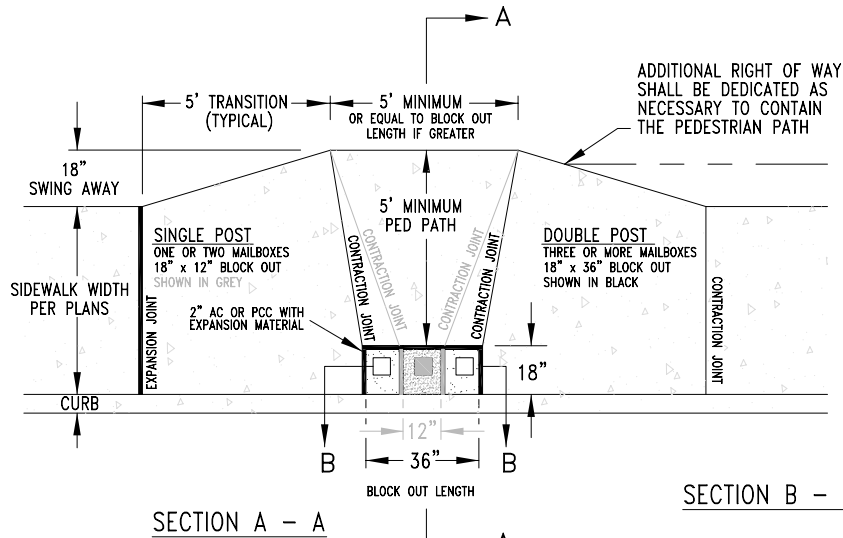
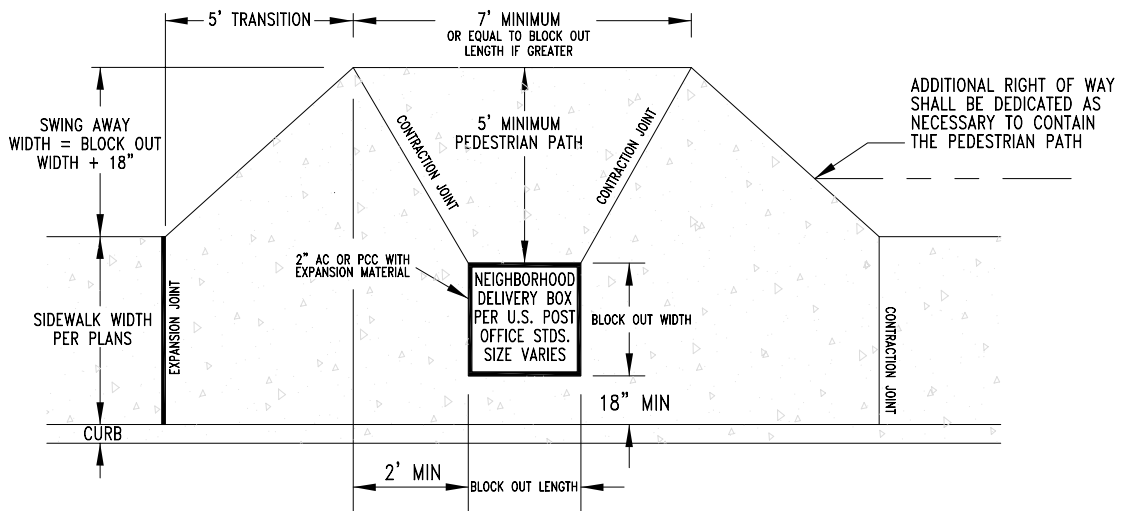


# STANDARD MAILBOX



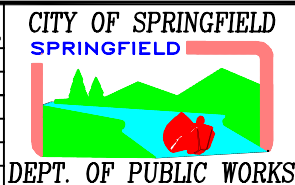
# NEIGHBORHOOD DELIVERY BOX



## NOTES

- \* THE PERMANENT LOCATION OF MAILBOXES AND NEIGHBORHOOD DELIVERY BOXES IS DETERMINED BY THE CITY OF SPRINGFIELD AND THE UNITED STATES POST OFFICE, BY AGREEMENT.
- \* NEIGHBORHOOD DELIVERY BOXES SHALL BE SUPPLIED AND INSTALLED BY THE U.S. POSTAL SERVICE IN ACCORDANCE WITH THE AMERICANS WITH DISABILITIES ACT.
- \* SIDEWALKS, ACCESS RAMPS, AND RESIDENTIAL DRIVEWAYS SHALL BE 3000 PSI FIELD STRENGTH (3450 PSI LAB STRENGTH) 6.0 SACK MIX CONCRETE
- \* CURBS & COMMERCIAL DRIVEWAYS SHALL BE 3500 PSI FIELD STRENGTH (4025 PSI LAB STRENGTH) 6.3 SACK MIX CONCRETE

NO	REVISION	DATE	BY	APPR.



## MAILBOX PLACEMENT

Al Peroutka City Engineer 2003

STANDARD DRAWING  
3-13  
2003